

# Flexit air handling unit

## Albatros S20 R

- Flexibel – impossible to order incorrectly
- Compact – access through 90 cm wide door
- Energy efficient
- Low noise level



**Full flexibility. Easy adaptation to different applications.**

The unit is delivered as a right hand model but can very easily be changed into a left hand model on site. Heater battery (electrical or water) is supplied separately and can easily be fitted/changed at site. This ensures safe, fast delivery and cost savings at possible changes in project or mistakes when ordering.

**Fast delivery.**

Flexit S20R is produced against stock and will consequently have a very short delivery time.

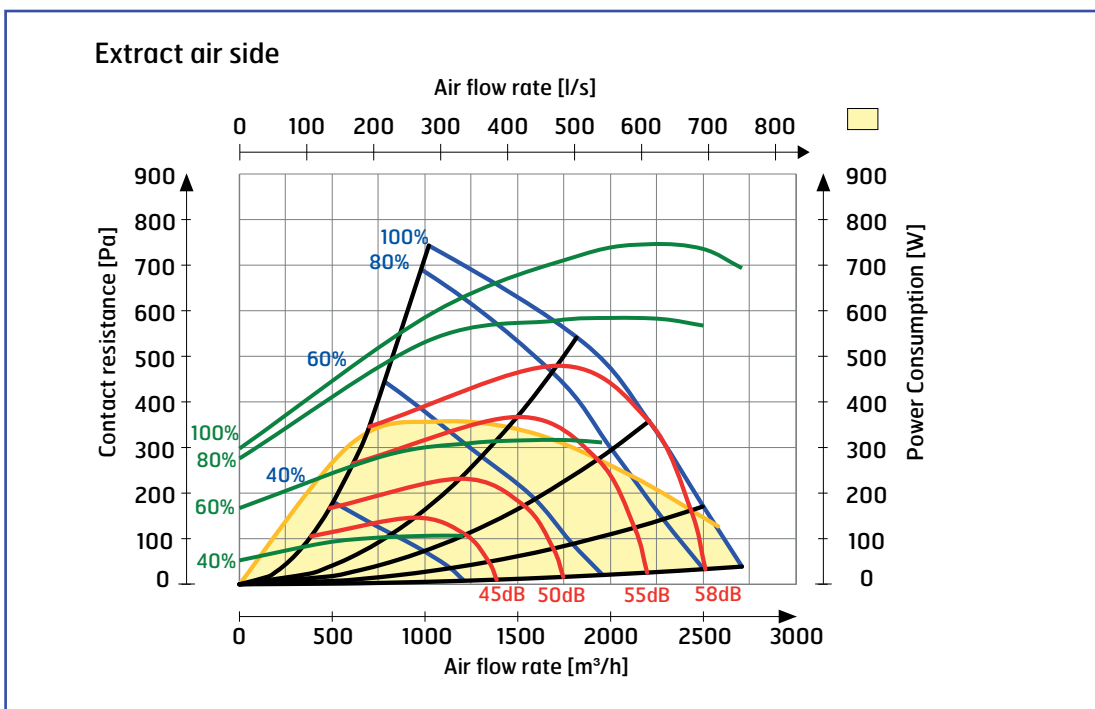
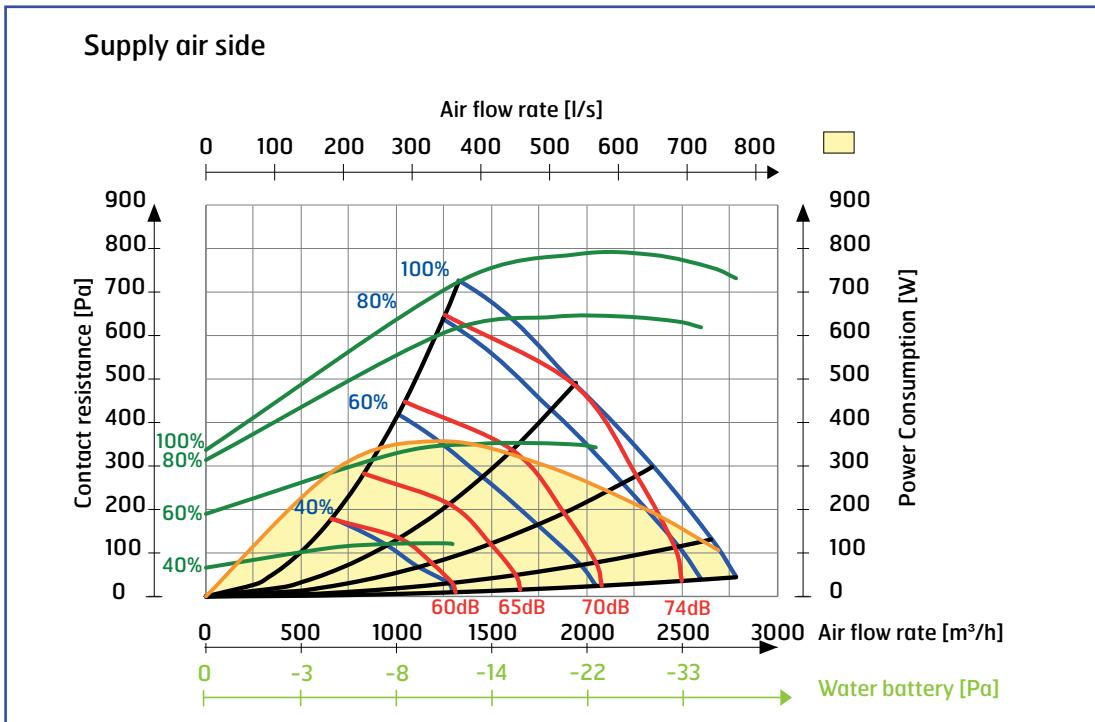
**Energy efficient with low noise level.**

The unit is energy efficient and fulfills demands set in building directive TEK10. In addition the unit has a very low noise level.

**Easy access into buildings.**

The unit is compact and can be transported in through a 90 cm wide opening.

# S20 R



Sound data is given at sound power level  $L_{wA}$  in the capacity diagrams and is corrected with the table for the various octave bands. Radiated noise produces  $L_w$  in the various octave bands and total  $L_{wA}$ . Radiated noise is calculated by taking the noise value from the supply air table and deducting the total value from the correction factor table. Data for supply air is measured in accordance with ISO 5136, the "In-duct method". Radiated noise is measured in accordance with ISO 9614-2. Bruel & Kjaer measuring equipment, type 2260.

#### Curves in diagram:

- Blue: Air volume in different capacity setting in %.
- Green: Power consumption in Watt, read the scale to the right.
- Red: Sound - indicate sound level  $L_{wA}$ .

#### Correction factor for $L_w$

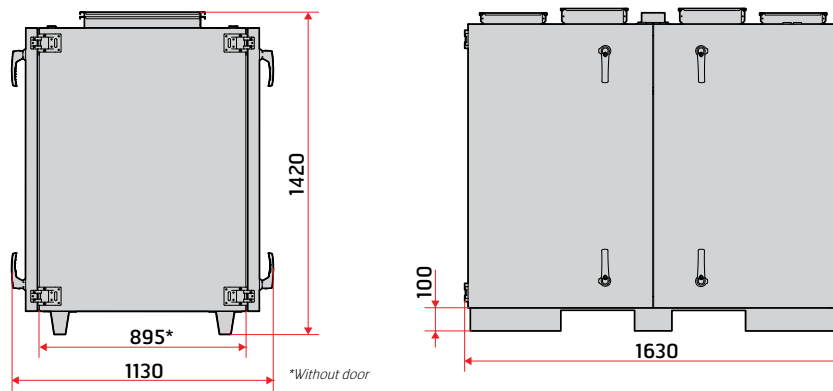
Hz	63	125	250	500	1000	2000	4000	8000	$L_{wA}$
Supply	4	-2	-3	-4	-4	-8	-17	-22	
Extract	14	7	4	-4	-12	-19	-27	-31	
Radiated	-32	-27	-14	-19	-22	-24	-31	-43	-16

# S20 R

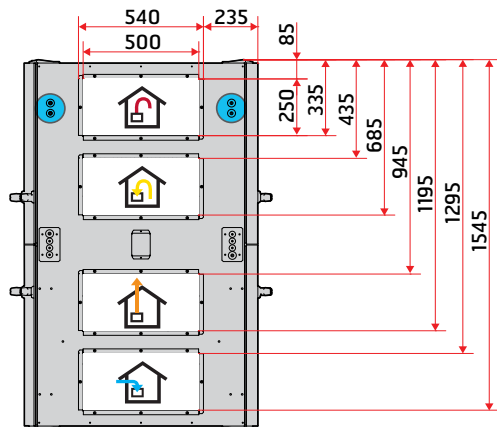
	Electric battery	Water battery
Rated voltage	400V	400V
Fuse size	3x16A	3x10A
Rated current, total	15A	7A
Rated power, total	7100W	1600W
Rated power, electric battery	5550W	-
Rated power, fans	2x715W(230V)	2x715W(230V)
Fan type	B-hjul	B-hjul
Fan motor control	0-10V	0-10V
Max. fan speed	2800	2800
Filter type	F7 bag filter	F7 bag filter
Filter dimensions (WxHxD mm)	892x287x370	892x287x370
Duct connection	18	18
Weight	500x250 mm	500x250 mm
Height	1420 mm	1420 mm
Width	1630 mm	1630 mm
Depth (with handles)	1130 mm	1130 mm
Depth (without door)	895 mm	895 mm


Gross unit weight	Fan	Heat recovery system	Doors	Net inward transport
280 kg	2 x 15 kg	51 kg	4 x 16 kg	135 kg

## Dimensioned Drawing



The dimensions are the same on both end sides.  
All dimensions in mm



 Water connection points

# S20 R - AHU and accessories

17430	Air handling unit S20R incl. Control panel CS 2000
112298	Filter set F7
110888	Electric battery, complete
112278	Water heating element, complete
14488	Closing air damper on/off 500x250
14489	Closing air damper spring retur 500x250
56432	Shunt valve, KVS 1,6 2-way
56232	Shunt valve, KVS 1,6 3-way
56433	Shunt valve, KVS 2,5 2-way
57228	Shunt valve, KVS 2,5 3-way
56072	Adapter for art.no. 56433 and 57228
56434	Shunt valve, KVS 4,0 2-way
56233	Shunt valve, KVS 4,0 3-way
56234	Motor shunt valve
	Combi battery (Ask for calculation)
	Cooling battery (Ask for calculation)



Filter set



Electric battery



Water heating element



Closing air damper



Shunt valve



Motor shunt valve



Combi battery



Cooling battery

### Accessories Control system

112434	Room sensor CS 2000
112435	Modbus, communication module
112436	Web, communication module
112437	LON, communication module
112438	BACnet IP, communication module
112439	Expansion module 14 IO
112440	Energy meter
112441	Timer, mechanical
112442	Timer, electronic
112444	Pressure sensor, 0-1250 Pa
112445	Pressure sensor, 0-2500 Pa
09364	Press button
09368	Room sensor CC 1040
09369	Outdoor sensor CC 1041
09390	Motion detector SP 450
09358	Motion detector SP 435
09861	Smoke detector SP 445
09359	CO <sub>2</sub> -sensor SP 440



Room sensor CS 2000



Modbus



Web



LON



BACnet IP



Expansion module 14 IO



Energy meter



Timer mechanical



Timer electronic



Pressure sensor



Press button



Room sensor CC 1040



Outdoor sensor CC 1041



Motion detector SP 450



Motion detector SP 435



Smoke detector SP 445



CO<sub>2</sub>-sensor SP 440

## Flexit AS

+47 69 81 00 00

www.flexit.com